

Outdoor Patio Heater

Endless Summer™



Owner's Manual
Manual del Usuario

Model No.
223600



WARNING

FOR YOUR SAFETY:

For Outdoor Use Only
(outside any enclosure)

Solamente Para Uso En Exteriores

(fuera de cualquier recinto)



WARNING

FOR YOUR SAFETY:

***For Outdoor Use Only
(outside any enclosure)***



WARNING

FOR YOUR SAFETY:

If you smell gas -

- 1. Shut off gas to appliance.***
- 2. Extinguish any open flame.***
- 3. If odor continues, contact your gas supplier or local fire department.***



WARNING

FOR YOUR SAFETY:

- 1. Gas leaks may cause a fire or explosion which can cause serious bodily injury or death, or damage to property.***
- 2. You must follow all leak-checking procedures as outlined in step 15 before operating this unit.***
- 3. Never use an open flame to check for leaks.***



WARNING

FOR YOUR SAFETY:

Do not store or use gasoline or other flammable vapors or liquids in the vicinity of this or any other appliance.



WARNING

FOR YOUR SAFETY:

Improper installation, adjustment, alteration, service or maintenance can cause injury or property damage. Read the installation, operation and maintenance instructions thoroughly before installing or servicing this equipment.



WARNING

California Proposition 65:

Chemicals Known To The State Of California To Cause Cancer, Birth Defects, Or Other Reproductive Harm Are Created By The Combustion Of Propane.



WARNING

FOR YOUR SAFETY:

- Purchaser assumes all risk in the assembly and operation of this unit. Failure to follow this manual's warnings and instructions can result in severe personal injury, death or property damage.***
- Do not use in an explosive atmosphere. Keep heater away from areas where flammable liquids, gasoline, vapors, or explosives are stored or used.***

**Contact 1-800-762-1142 for assistance.
Do not return to place of purchase.**

Table of Contents

Safety First!3

Assembly Instructions

 Components & Hardware5

 General Components & Features6

 Additional Requirements6

 Step 1 Attach Legs to Base6

 Step 2 Attach Platform to Legs7

 Step 3 Attach Weight Plate to Base7

 Step 4 Insert Gas Line Through Platform / Attach Shroud Cover . 8

 Step 5 Attach Engine to Post8

 Step 6 Attach Engine/Post to Platform9

 Step 7 Connect Gas Line to Engine9

 Step 8 Assemble Dome10

 Step 9 Attach Dome to Emitter10

 Step 10 Secure Gas Line10

 Step 11 Connect Gas Line to Cylinder11

 Step 12 Check for Leaks11

 Step 13 Replace Engine Access Panel12

 Step 14 Install Igniter Battery12

Operation

 Before Turning Gas Supply ON13

 Before Lighting13

 Lighting13

 Re-Lighting14

 Shutdown14

 Operation Checklist15

Troubleshooting16

Maintenance17

Storage18

Service18

Warranty19

Specifications20



The use and installation of this product must conform to local codes. In absence of local codes, use the National Fuel and Gas Code, ANSI Z223, 1/NFPA 54, Storage and Handling of Liquid Petroleum Gases, ANSI/NFPA 58 or CSA B149.1, Natural Gas and Propane Installation Code.

Save these instructions for future reference. If you are assembling this unit for someone else, give this manual to him or her to save for future reference.



**Before you do anything else,
read and understand all
precautions in Safety First!**



WARNING

FOR YOUR SAFETY:

- **Purchaser assumes all risk in the assembly and operation of this unit. Failure to follow this manual's warnings and instructions can result in severe personal injury, death or property damage.**
- **Do not use in an explosive atmosphere. Keep heater away from areas where flammable liquids, gasoline, vapors, or explosives are stored or used.**

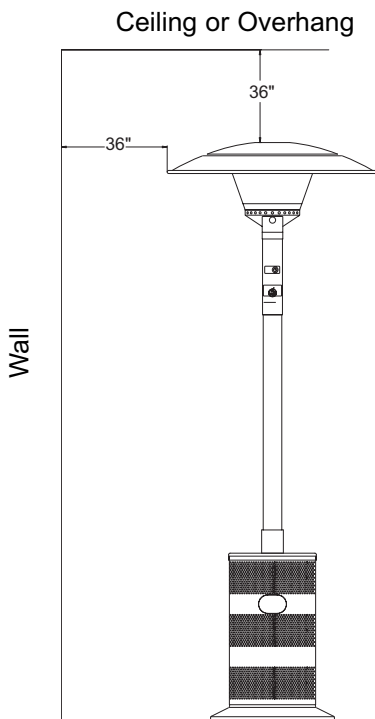
Safety First!

Read and become familiar with this entire manual, especially the following precautions.

If you are unsure of anything in these instructions, STOP and contact 1-800-762-1142 for assistance.

Caution: This appliance is for outdoor use only (outside any enclosure). Always make sure there is fresh air ventilation.

- Always maintain at least 36" clearance (top) and 24" clearance (side) from combustible materials.
- Always place heater on a hard and level surface.
- Do not use if the wind velocity is greater than 10 miles per hour.
- Unit will operate at reduced efficiency below 40°F (5°C).
- Keep sprinklers and other water sources away from burner and controls.
- **Always use extreme caution when near heater. Alert both children and adults to the hazards of high temperatures, especially to avoid burns or clothing catching fire.**
- **Young children and pets should be carefully supervised when they are in the area of heater.**
- **Do not hang clothing or other flammable materials either on or near heater.**
- **Any guard or other protective device removed for servicing the heater must be replaced prior to operating the heater.**
- Certain materials or items, when stored under heater, will be subjected to radiant heat and could be seriously damaged.
- Do not alter heater in any manner.
- The pressure regulator and hose assembly supplied with the appliance must be used and replacements must be those specified by the manufacturer.
- Inspect heater before each use. If a damaged part is detected, do not operate until an original equipment replacement part has been properly installed. Use of unauthorized parts will void warranty and create an unsafe condition.
- Do not attempt to use this appliance without a functional factory-supplied gas regulator in place. If regulator becomes damaged, use only a factory-supplied replacement.
- Prior to operating heater, replace any guards or protective devices removed for servicing.
- During operation, do not touch burner assembly. The surface of heater's emitter can reach temperatures approaching 1600°F.
- After shutdown, do not touch burner assembly until heater has cooled (approximately 45 minutes after use).



Notice: This product should not be used with any fuel other than liquid propane. Use of other fuels will detract from heaters performance and will void your warranty.

**Contact 1-800-762-1142 for assistance.
Do not return to place of purchase.**

Endless Summer 

Caution: Liquid propane (LP) gas is flammable and hazardous if handled improperly. Become aware of the characteristics before using any LP product.

- LP Characteristics – Flammable, explosive under pressure, heavier than air - settles in pools in low areas.
- In its natural state, propane has no odor. For your safety, an odorant is added that smells like rotten cabbage.
- Contact with LP can cause freeze burns to skin.
- This heater is shipped from the factory for LP gas use only.
- Use only Department of Transportation (DOT) approved “20 lb.” LP gas cylinders (same as those commonly used on gas grills) with Acme / Type 1 / QCC safety valves. These valves can be quickly identified because they have external and internal threads.
- Never use an LP cylinder with a damaged body, valve, collar, or footing.
- Dented or rusted LP cylinders may be hazardous and should be checked by your LP gas supplier.
- The cylinder supply system must be arranged for vapor withdrawal.
- The cylinder used must include a collar to protect the cylinder valve.
- When heater is not in use, turn LP cylinder OFF.
- Always perform a leak test on gas connections whenever a cylinder is connected. Never use a flame to test for leaks. Do not smoke while performing a leak test.

Caution: It is essential to keep the heater’s valve compartment, burners, and circulating air passages clean.

- Spiders and insects can create a dangerous condition that may damage heater or make it unsafe. Keep burner area clean of all spiders, webs, or insects.
- Inspect heater before each use.
- **Have heater inspected annually and repairs should be made by a qualified service person.**
- Check heater immediately if any of the following conditions exist:
 - The smell of gas in conjunction with extreme yellow tipping of burner flames.
 - Heater does not reach proper temperature.
Note: At temperatures less than 40°F, heat output will be reduced.
 - Heater’s glow is excessively uneven
 - Burner makes popping noises during use.
Note: A slight pop is normal when burner is extinguished.
- Carbon deposits may create a fire hazard. Keep dome and emitter clean at all times.
- Do not clean heater with combustible or corrosive cleaners. Use warm, soapy water.
- Do not paint engine, engine access panel or dome.

“20 lb.” LP Cylinder



FOR YOUR SAFETY:

Beware of Spiders

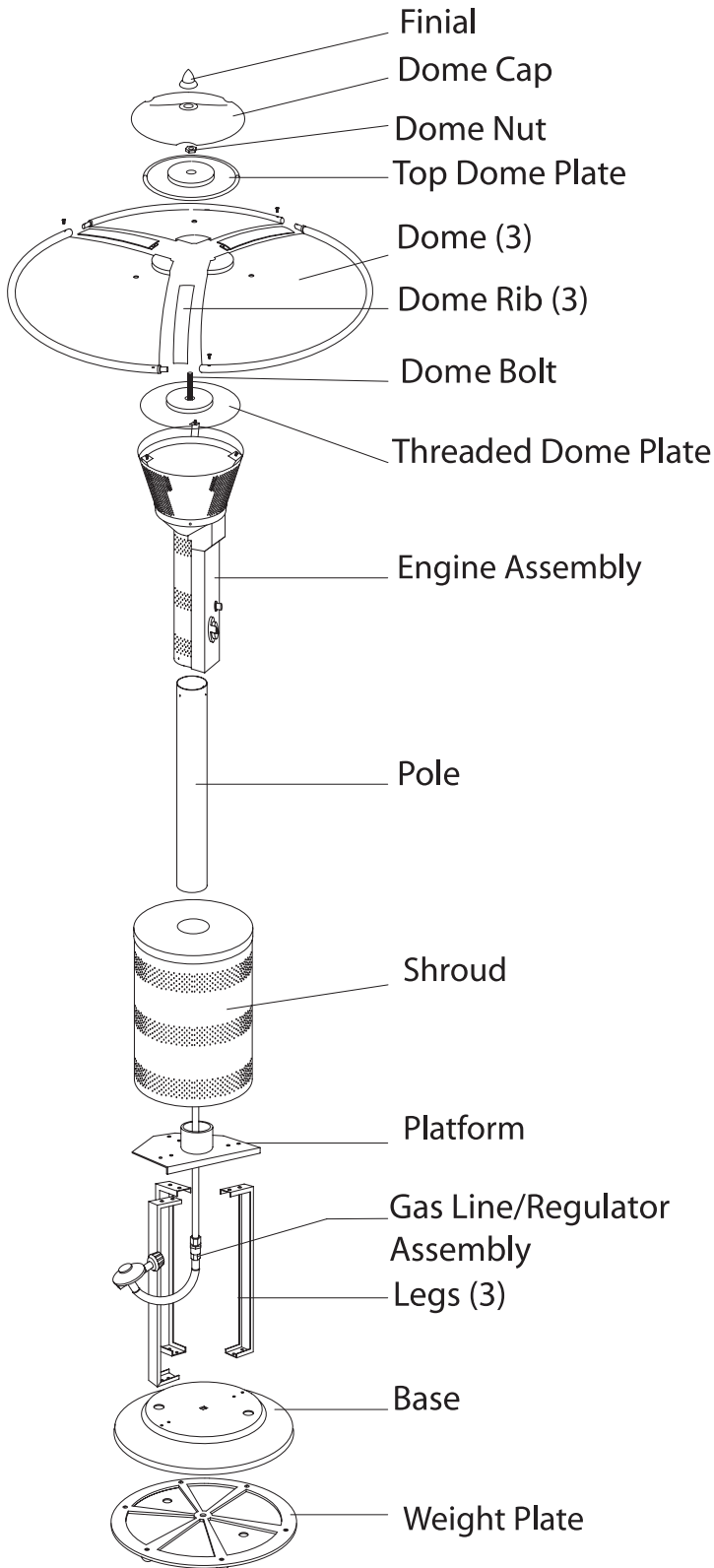
Spiders or small insects can get into the burner tube or other openings of your heater, and spin webs or build nests. These obstructions can lead to gas flow problems. It is important to make frequent inspections of these areas and clean them when necessary.

Before operating your heater for the first time, be sure to check for obstructions that may have occurred during shipment.

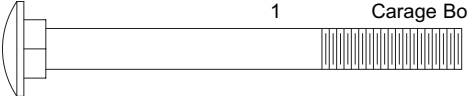
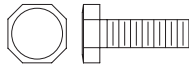


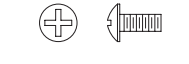









Need a cylinder or gas?

Try Blue Rhino cylinder exchange service. It’s easy, fast, safe, and available at tens of thousands of conveniently located retail outlets nationwide. You can purchase a new full cylinder or exchange your empty for a precision filled one. For your nearest Blue Rhino retailer visit www.bluerhino.com.

Components



Hardware

Picture	Qty	Description	Used in Step(s)
	1	Carage Bolt	3
	12	Large Bolt	1 & 2
	1	Large Screw	2
	4	Small Screw	5
	3	Dome Screw	8
	12	Small Lockwasher	1 & 2
	1	Large Lockwasher	3
	1	Large Nut	3
	3	Cap Nut	9
	12	Small Nut	1 & 2
	1	Clip	2
	1	Finial	8
	1	Dome Bolt	8
	1	Hex Wrench	6

Assembly Instructions

General Components & Features

Familiarize yourself with all components before proceeding. Refer to page 5 for hardware and components, and page 21 for specifications.

The white ceramic cone in the top of the engine is an important piece. DO NOT REMOVE.

Do NOT attempt assembly unless all components are available. If you believe a component is missing or damaged, contact 1-800-762-1142 for assistance.

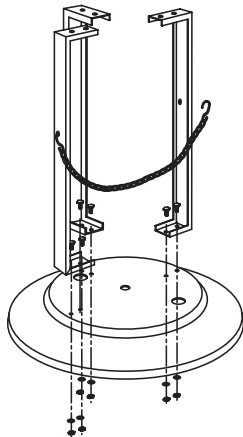
Note: All hardware is mounted on a cardboard pack and numbered to match their assembly step.

Additional Requirements

The following items are not included, but are necessary for the proper assembly of your heater. Do NOT attempt to assemble without proper tools. A hex (Allen) wrench is necessary and is included in the parts bag.

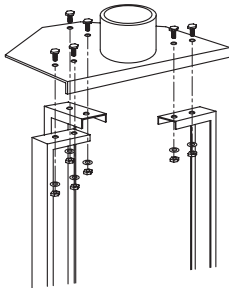
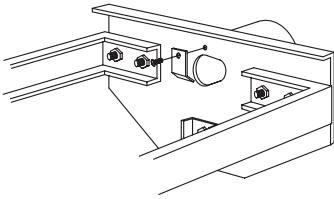
- (1) 7/16" Wrench
- (1) 9/16" Wrench
- (1) 7/16" Socket Wrench
- (1) #2 Phillips Head Screwdriver
- (1) Leak Detection Solution (Instructions on how to make solution are included in step 12)
- (1) Precision Filled LP Gas Grill Cylinder with Acme Type 1 external threaded valve connection (4-5 gallon size)

Note: You must follow all steps to properly assemble heater.



Step 1 – Attach Legs to Base

- Secure Legs to Base using (2) Large Bolts, (2) Small lock washers and (2) Small nuts per leg. Finger tighten only.
- Do not fully tighten until Step 2.
- Attach small 's' hook on Cylinder Restraint Chain to left leg.



Step 2 – Attach Platform to Legs

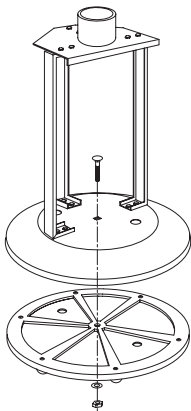
- Line up hole in Clip with small threaded hole on bottom of Platform.
- Attach Clip loosely to Platform with (1) Large Screw.

Note: Do not tighten until step 10.

- Using 7/16" wrench, secure Platform to Legs using (2) Bolts, (2) Small Lock Washers and (2) Small Nuts per Leg. Tighten fully.
- Fully tighten all nuts and bolts from Step 1.

TIP:

To tighten use a 7/16" wrench on Bolt and a 7/16" socket wrench on Nut.

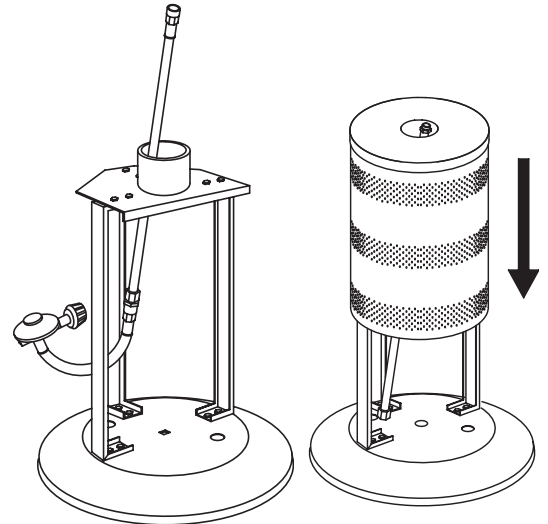


Step 3 – Attach Weight Plate to Base

- Lay Base Assembly on its side.
- Line up slots at outside edge of Weight Plate with hooks on Wheel Bracket.
- Place Weight Plate in Base, feet out.
- Insert Carriage Bolt through center holes of Base and Plate.
- Using 9/16" wrench, secure Plate to Base using a (1) Large Lock Washer and (1) Large Nut.
- Place Base Assembly upright.

Step 4 – Insert Gas Line through Platform/Attach Shroud Cover

- Insert Gas Line up through large hole in Platform from underneath between center and left leg as shown in illustration.
- Slide Shroud Cover over Gas Line, then over Platform/Leg assembly until bottom of Shroud rests on Base.



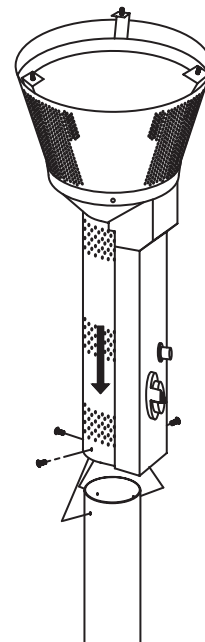
Step 5 – Attach Engine to Post

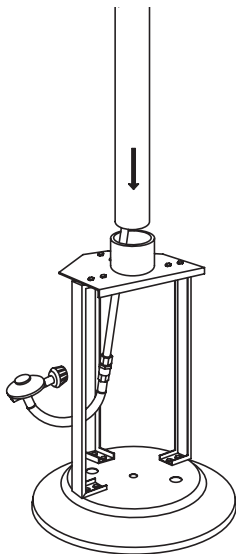
- Lay Engine Assembly on its side, using shipping carton for support.
- Remove and save Control Knob.
- Remove and save Engine Access Panel by unscrewing (1) black Thumbscrew from bottom of Access Door.
- Disconnect wire from Igniter by gently pulling wire from back of box.
- Align (4) holes in top of Post with (4) holes in bottom of Engine.

Note: One hole is at a different level than the rest. Make sure that all 4 holes line up properly.

- Insert (4) Small Screws enough to hold Engine in place. They will be fully tightened at the end of Step 7.

Note: Do not replace Engine Access Panel until Step 13.

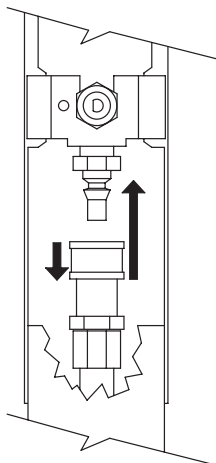




Step 6 – Attach Engine/Post to Platform

- Insert end of Post without holes over Gas Line, being careful not to bend Gas Line.
- Slide Post into collar of Platform so Post rests completely on Platform.
- Tighten bottom three setscrews with hex (Allen) wrench supplied.
- Make sure Post is perpendicular to Base.
- Use top three setscrews to adjust Post's angle as necessary.
- Tighten all six setscrews.

Note: Post must be perpendicular to Base. Failure to do so will adversely affect burner performance.



Step 7 – Connect Gas Line to Engine

- Attach Gas Line to Control Valve:
- Pull collar of Gas Line back.
- Insert Gas Line over Control Valve.
- Release collar and it should lock in place. (Tip – push Gas Line up from bottom of Post to make a good seating before releasing the collar.)
- Gently tug on line to test for proper connection. If Gas Line moves you are not properly connected. Do not proceed until you have a proper connection.
- Fully tighten the (4) screws from Step 5.

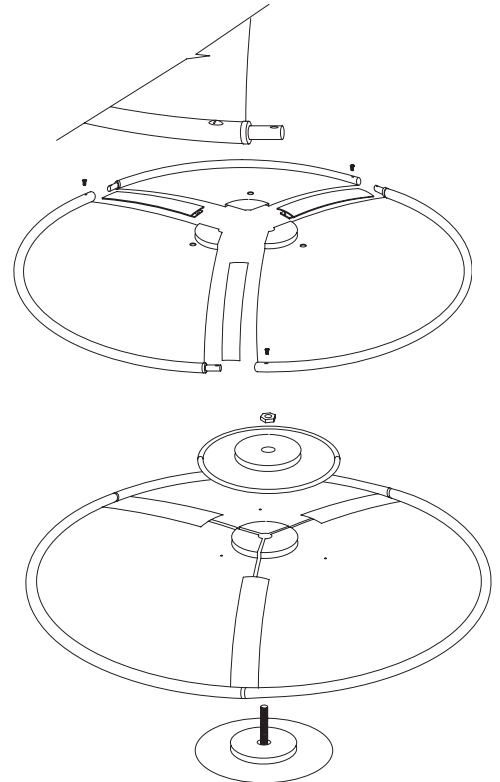
**Contact 1-800-762-1142 for assistance.
Do not return to place of purchase.**

Endless Summer 

Step 8 – Assemble dome

Note: Each dome section has a pin mounted in place in the rolled bottom edge. If necessary for proper alignment of dome sections, loosen each screw prior to further assembly and retighten after sections are aligned.

- With the large side facing up, slide a dome rib on to the same side of one dome section as the pin. Slide two dome sections together, allowing the exposed end of the pin slide into the rolled edge of the next dome section. Line up hole in dome with threaded hole in pin.
- Insert one Dome Screw and secure loosely.
- Repeat procedure to complete the assembly of all three sections.
- Slide Dome bolt through bottom check plate (with small center hump), being sure that the rolled edge faces down.
- Slide bolt from previous step through the center of the assembled dome sections, and be sure that the rolled edge of the check plate fits inside of the ends of the three Dome Ribs. Also be sure that the slots in the check plate line up with the holes on the dome sections.
- Slide the other check plate over the Center bolt with the rolled edge facing up, again making sure that the plate fits inside of the Ribs and the holes line up with those in the dome.
- Spin the medium nut all the way down the bolt, clamping all of the pieces in place, making sure that all of the humps fit inside one another.
- Fully tighten all of the screws in the rolled edge.
- Slide Dome Cap over Dome Bolt, lining up notches in cap with Dome Ribs. Thread on finial until tight.

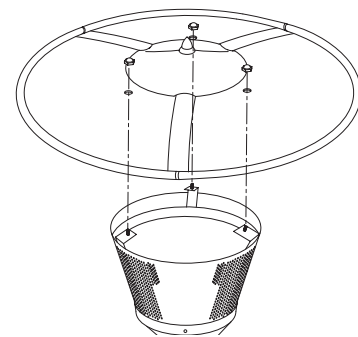


Note:

The white ceramic cone in the top of the engine is an important piece. DO NOT REMOVE.

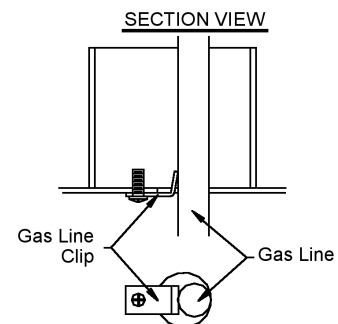
Step 9 – Attach Dome to Emitter

- Gently lay Heater on its side using one styrofoam end to prop up top half.
- Align holes in Dome with threaded studs in Emitter brackets.
- Secure Dome to Emitter using (3) Cap Nuts.
- Leave Heater on its side for next step.



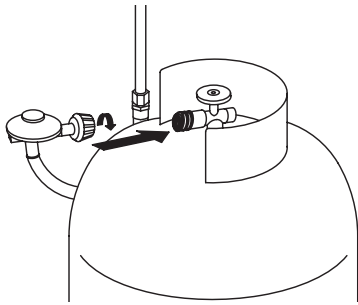
Step 10 – Secure Gas Line

- Make sure angled side of Gas Clip pokes up through large hole in Platform.
- Tighten screw until Gas Line is held securely in place.
- Stand Heater upright.



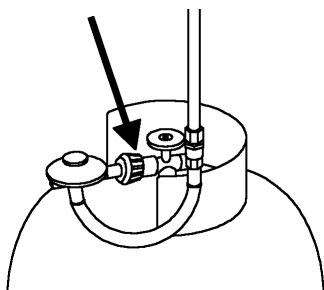
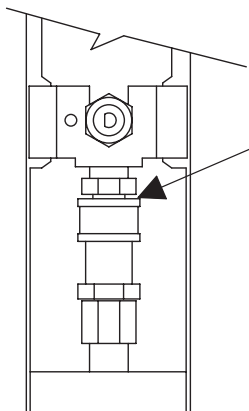
Caution:

Before you attempt to use a propane cylinder, understand all cylinder and propane related precautions in Section #1 - "Safety First."



Caution:

Your Endless Summer Portable Heater has been checked at all factory connections for leaks. Recheck all connections, as movement in shipping can loosen connections. Check for leaks even if your unit was assembled for you at the store.



Step 11 – Connect Gas Line to Cylinder

The pressure regulator and hose assembly supplied with the appliance must be used and replacements must be those specified by the manufacturer.

- Slide full Propane Cylinder onto Heater Base.
- Attach Gas Line to Cylinder by turning black plastic knob clockwise over Cylinder valve until tight.

Note: Be careful not to kink flexible hose of Gas Line.

- Secure cylinder in place by attaching loose end of Cylinder Restraint Chain to hole in right leg.

Step 12 – Check for Leaks

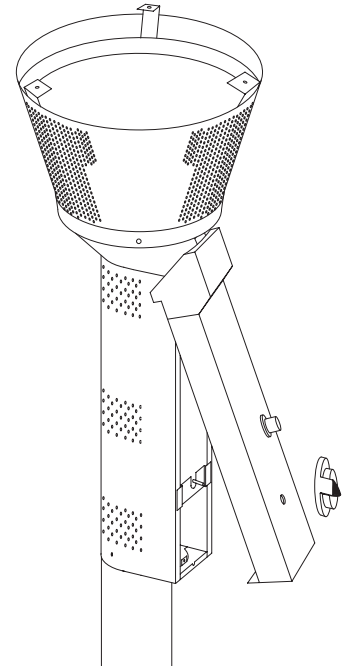
- Make 2-3 oz. of leak check solution by mixing one part liquid dishwashing soap and three parts water.
- Turn cylinder valve ON.
- Check Gas Line / Control Valve for leaks:
- Spoon several drops of solution onto Gas Line and Control Valve connection.
- Inspect the solution at the connection to look for bubbles.
- If NO bubbles appear, then the connection is secure.
- If bubbles appear, there is a leak -
 - Turn Cylinder valve OFF.
 - Loosen screw on Clip.
 - Release Gas Line fitting from control valve and re-attach making sure connection is secure (see Step 8).
 - Retighten Clip.
- If you continue to see bubbles after several attempts, contact 1-800-762-1142 for assistance.

Check Gas Line / Cylinder valve for leaks:

- Turn cylinder valve ON.
- Spoon several drops of solution onto Gas Line and Cylinder valve connection.
- Inspect the solution at the connection to look for bubbles.
- If NO bubbles appear, then the connection is secure.
- If bubbles appear, there is a leak:
 - Turn Cylinder valve OFF.
 - Release Gas Line fitting from Cylinder valve and re-attach making sure connection is secure (see Step 12).
 - If you continue to see bubbles after several attempts, contact 1-800-762-1142 for assistance.
 - Turn Cylinder Valve OFF.

Step 13 – Replace Engine Access Panel

- Slide Igniter wire onto Igniter post.
- Slide tab at top of Access Panel into slot in Emitter bottom.
- Rotate Panel down until holes line up at bottom.
- Secure Access Panel in place with thumbscrew.
- Replace Control Knob.

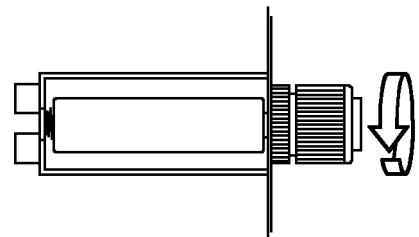


Step 14 – Install Igniter Battery

Note: This step is required only for models with electronic ignition.

- Remove battery cover cap by turning cap counterclockwise.
- Install (1) AA battery. Negative end of battery goes in first.
- Replace battery cover cap by turning cap clockwise.

Note: Once you have successfully completed assembly steps 1-14 you are ready to begin operating your heater.





WARNING

FOR YOUR SAFETY:

If at any time you are unable to light pilot and smell gas, wait 5 minutes to allow gas to dissipate before attempting to light heater.

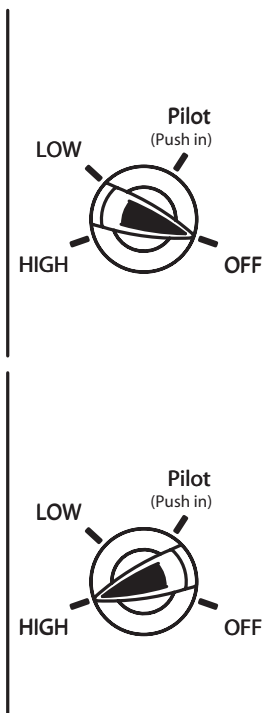
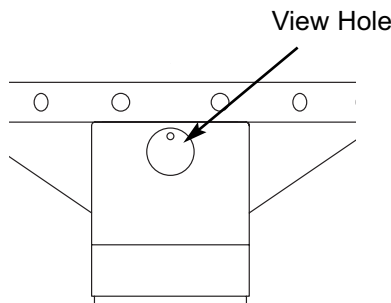


WARNING

FOR YOUR SAFETY:

Do NOT touch or move heater for at least 45 minutes after use.

Allow all burner elements to cool before touching.



Operation

Caution: Do NOT attempt to operate heater until you have read and understand all precautions in section 1 "Safety First."

Before Turning Gas Supply ON

- Your heater was designed and approved for outdoor use only. Do NOT use it inside a building, garage, or any other enclosed area.
- Make sure surrounding areas are free of combustible materials, gasoline, and other flammable vapors or liquids.
- Ensure that there is no obstruction to air ventilation.
- Be sure all gas connections are tight and there are no leaks.
- Be sure the cylinder cover is clear of debris.
- Be sure any component removed during assembly or servicing is replaced and fastened prior to starting.

Before Lighting

- Heater should be thoroughly inspected before each use, and by a qualified service person at least annually.
- If relighting a hot heater, always wait at least 5 minutes.
- Inspect the hose assembly for evidence of excessive abrasion, cuts, or wear. Suspected areas should be leak tested. If the hose leaks, it must be replaced prior to operation. Only use the replacement hose assembly specified by manufacturer.

Lighting

Note: This heater is equipped with a Pilot Light that allows for safer startups and shutdowns. Pilot must be lit before Main Burner can be started.

- Turn Cylinder Valve OFF.
- Push Control Knob IN and turn to OFF.
- Wait 5 minutes for any gas to clear.
- Turn Cylinder Valve ON.
- Open Viewing Hole by sliding cover to either side.
- Push Control Knob IN and rotate to Pilot position.
- Note - For initial start or after any cylinder change, hold Control Knob IN for 2 minutes to purge air from gas lines before proceeding.
- Push Igniter button once. Pilot Light flame will appear and be visible through Viewing Hole.
- Release Control Knob after 30 seconds. Pilot Light will remain lit. If not, return to step 1.

**Contact 1-800-762-1142 for assistance.
Do not return to place of purchase.**

Endless Summer 

- Turn Control Knob to ON. Main Burner will light immediately. Flame is visible through Viewing Hole. If not, return to step 1.
- If for some reason your ignitor fails to deliver a spark, your heater can be started by inserting a lit match through the pilot view hole while pushing the control knob in while in the PILOT position.

If you experience any ignition problem consult "Troubleshooting" on page 17.

Caution: Avoid inhaling fumes emitted from the heater's first use. Smoke and odor from the burning of oils used in manufacturing will appear. Both smoke and odor will dissipate after approximately 30 minutes. The heater should NOT produce thick black smoke.

Note: The burner may be noisy when initially turned on. To eliminate excessive noise from the burner, turn the Control Knob to the Pilot position. Then, turn the knob to the level of heat desired.

When heater is ON:

Emitter screen will become bright red due to intense heat. The color is more visible at night.

Burner will display tongues of blue and yellow flame. These flames should not be yellow or produce thick black smoke, indicating an obstruction of airflow through the burners. The flame should be blue with straight yellow tops.

If excessive yellow flame is detected, turn off heater and consult "Troubleshooting" on page 17.

Re-lighting

Note: For your safety, Control Knob cannot be turned OFF without first depressing Control Knob in PILOT position and then rotating it to OFF.

Turn Control Knob to OFF.

Wait at least 5 minutes, to let gas dissipate, before attempting to relight Pilot.

Repeat the "Lighting" steps on prior page.

Shut Down

Turn Control Knob clockwise to Pilot. (Normally, burner will make a slight popping sound when extinguished.) Burner will extinguish but Pilot will remain ON.

To extinguish Pilot, depress Control Knob and continue to turn it clockwise to OFF.

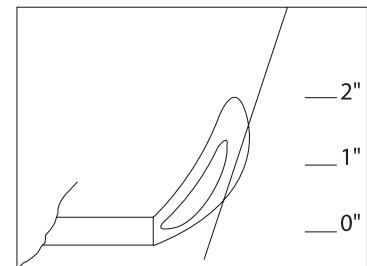
Turn Cylinder Valve clockwise to OFF and disconnect Regulator when heater is not in use.

Note: After use, some discoloration of the emitter screen is normal.



WARNING

FOR YOUR SAFETY:
Be careful when attempting to manually ignite this heater. Holding in the control knob for more than 10 seconds before igniting the gas will cause a ball of flame upon ignition.



WARNING

FOR YOUR SAFETY:
Heater will be hot after use. Handle with extreme care.

Operation Checklist

For a safe and pleasurable heating experience, perform this check before each use.

Before Operating

- I am familiar with entire owner's manual and understand all precautions noted in "Safety First."
- All components are properly assembled, intact and operable.
- No alterations have been made.
- All gas connections are secure and do not leak.
- Wind velocity is below 10 mph.
- Outdoor temperature is greater than 40 degrees F.
- Heater is outdoors (outside any enclosure).
- There is adequate fresh air ventilation.
- Heater is away from gasoline or other flammable liquids or vapors.
- Heater is away from windows, air intake openings, sprinklers and other water sources.
- Heater is at least 36" from combustible materials.
- Heater is on a hard and level surface.
- There are no signs of spider or insect nests.
- All burner passages are clear.
- All air circulation passages are clear.
- Children, pets, clothing, flammable materials and items that can be damaged from radiant heat are away from the heater.
- Children and adults in the area have been alerted to the high temperature hazards: especially burns and clothing fires.
- Children and adults in the area have been warned not to touch heater near engine during operation and until unit has cooled.

After Operation

- Gas control is in OFF position.
- Gas Tank valve is OFF.
- Disconnect Gas line.
- Heater is upright in a secure location.

**Contact 1-800-762-1142 for assistance.
Do not return to place of purchase.**



Troubleshooting

<u>If the problem is:</u>	<u>And this condition exists:</u>	<u>Then do this</u>
Pilot won't light <i>Note: Heater operates at reduced efficiency below 40°F (5°C)</i>	Cylinder valve is closed	Open valve
	Blockage in orifice or pilot tube	Clean or replace orifice or pilot tube
	Air in gas line	Open gas line and bleed it (pressing control knob in) for not more than 1 - 2 minutes or until you smell gas
	Low gas pressure with cylinder valve fully open	Turn cylinder valve OFF and replace cylinder
	Igniter fails	Use match to light pilot; obtain new igniter and replace
Pilot won't stay lit	Dirt built up around pilot	Clean dirt from around pilot
	Connection between gas valve and pilot assembly is loose	Tighten connection and perform leak check
	Thermocouple is not operating correctly	Replace thermocouple
Burner won't light	Gas pressure is low	Turn cylinder valve OFF and replace cylinder
	Blockage in orifice	Clear blockage
	Control knob is not in ON position	Turn control knob to ON
Burner flame is low	Gas pressure is low	Turn cylinder valve OFF and replace cylinder
	Outdoor temperature is less than 40°F and tank is less than 1/4 full	Use a full cylinder
	Supply hose is bent or kinked	Straighten hose
	Control knob fully ON	Check burner and orifices for blockage
Emitter glows uneven <i>Note: Bottom 1" of emitter normally does NOT glow.</i>	Gas pressure is low	Turn cylinder valve OFF and replace cylinder
	Base is not on a level surface	Place heater on a level surface
	Heater is level	Clean burner
Carbon build-up	Dirt or film on reflector and emitter	Clean reflector and emitter
Thick black smoke	Blockage in burner	Remove blockage and clean burner inside and outside



WARNING:

FOR YOUR SAFETY:

- **Do NOT touch or move heater for at least 45 minutes after use.**
- **Dome is hot to the touch.**
- **Allow dome to cool before touching.**

Maintenance

To enjoy years of outstanding performance from your heater, make sure you perform the following maintenance activities on a regular basis:

Keep exterior surfaces clean.

Use warm soapy water for cleaning. Never use flammable or corrosive cleaning agents.

While cleaning your unit, be sure to keep the area around the burner and pilot assembly dry at all times. Do not submerge the control valve assembly. If the gas control is submerged in water, do NOT use it. It must be replaced.

Air flow must be unobstructed. Keep controls, burner, and circulating air passageways clean. Signs of possible blockage include:

Gas odor with extreme yellow tipping of flame.

Heater does NOT reach the desired temperature.

Heater glow is excessively uneven.

Heater makes popping noises.

Spiders and insects can nest in burner or orifices. This dangerous condition can damage heater and render it unsafe for use. Clean burner holes by using a heavy-duty pipe cleaner. Compressed air may help clear away smaller particles.

Carbon deposits may create a fire hazard. Clean dome and emitter with warm soapy water if any carbon deposits develop.

Note: In a salt-air environment (such as near an ocean), corrosion occurs more quickly than normal. Frequently check for corroded areas and repair them promptly.

TIP:

Use high-quality automobile wax to help maintain the appearance of your heater. Apply to exterior surfaces from the pole down. Do not apply to emitter screen or domes.

**Contact 1-800-762-1142 for assistance.
Do not return to place of purchase.**

Endless Summer 

Storage

Between uses:

Turn Control Knob OFF.

Disconnect LP source.

Store heater upright in an area sheltered from direct contact with inclement weather (such as rain, sleet, hail, snow, dust and debris).

If desired, cover heater to protect exterior surfaces and to help prevent build up in air passages.

Note: Wait until heater is cool before covering.

During periods of extended inactivity or when transporting:

Turn Control Knob OFF.

Disconnect LP source and move to a secure, well-ventilated location outdoors.

Store heater upright in an area sheltered from direct contact with inclement weather (such as rain, sleet, hail, snow, dust and debris).

If desired, cover heater to protect exterior surfaces and to help prevent build up in air passages.

Never leave LP cannister exposed to direct sunlight or excessive heat.

Note: Wait until heater is cool before covering.

Service

To learn how to service and procure parts for worn out, defective or damaged components contact 1-800-762-1142 for assistance or e-mail CustomerService@BlueRhino.com. Please supply model number and serial ID number for best service support. These numbers can be found on a label on the rear of the Valve Housing.

Caution: Use only original equipment replacement parts. Use of unauthorized parts or modification of parts will void warranty and create an unsafe condition.

Caution: Always allow heater to cool before attempting service.

Warranty

Warranty Period

Heater's warranty extends for 2 years from date of purchase by original purchaser.

Warranty Terms

Manufactured by Blue Rhino Global Sourcing, 104 Cambridge Plaza Drive, Winston-Salem, NC 27103 USA. 1-800-762-1142.

Manufacturer will cover: All parts found to be defective due to materials or workmanship for 2 years from the date of original purchase.

Proof of purchase is required before warranty performance will be rendered. Sales receipt and validation of product registration are valid forms of proof of purchase.

Manufacturer will repair or replace parts returned prepaid freight in the U.S.A. at its sole discretion.

There are no other express or implied warranties.

Warranty Exclusion

Manufacturer will NOT cover:

Assembly or start-up

Normal adjustment to burner

Cleaning and/or general maintenance

Shipping damage

Any misuse which will be determined at the sole discretion of manufacturer

Damage or repairs due to service by an unauthorized agency or the use of unauthorized parts

Improper assembly, such as: no regulator, improper hook-up, etc.

Damage or repairs related to spider or insect nesting

Damage due to weather conditions

Warranty Procedures

For service or replacement parts, please call 1-800-762-1142 for return authorization and further instructions.

All returns must be sent via prepaid freight.

Legal Rights

No one else is authorized to make any warranties on behalf of manufacturer.

THIS WARRANTY IS IN LIEU OF ANY OTHER WARRANTY, EXPRESS OR IMPLIED, ORAL OR WRITTEN, INCLUDING, BUT NOT LIMITED TO, ANY WARRANTY OF MERCHANTABILITY OR FITNESS FOR A PARTICULAR PURPOSE.

BLUE RHINO GLOBAL SOURCING SHALL NOT BE LIABLE FOR ANY INCIDENTAL OR CONSEQUENTIAL DAMAGES RESULTING FROM ANY DEFECTIVE PRODUCT, INCLUDING, BUT NOT LIMITED TO, LOST REVENUE OR PROFITS, BUSINESS INTERRUPTION, OR ANY LEGAL THEORY UPON WHICH ANY CLAIM MAY BE BASED.

PURCHASER ASSUMES ALL RISK IN THE ASSEMBLY AND OPERATION OF THIS UNIT. FAILURE TO FOLLOW THIS MANUAL'S WARNINGS AND INSTRUCTIONS CAN RESULT IN SEVERE PERSONAL INJURY, DEATH OR PROPERTY DAMAGE.

Some states do not allow limitations on how long an implied warranty lasts, or the exclusion or limitation relevant to incidental or consequential damages.

This warranty gives you specific legal rights. You may also have other legal rights which vary from state to state.

Since product improvement is an ongoing process at the manufacturer, we reserve the right to change this product's specifications or design without notice.

**Contact 1-800-762-1142 for assistance.
Do not return to place of purchase.**

Endless Summer 

Specifications

Certifications:

CSA International Requirement 5.90
Canadian National Standard CAN1-2.23-M82

Rating:

Maximum 40,000 BTU/hr. input

Heat Range:

Up to 20 foot diameter

Fuel:

Liquid Propane Gas (LP)

Cylinder Size:

Nominal 20 lb / 5 Gallon

Inlet gas supply pressure:

Maximum – 150 PSI
Minimum – 5 PSI

Manifold Pressure:

11.00 in. W.C.

Engine:

IPP E3

Safety Features:

100% Burner shut-off
Tilt Switch

Manufacturer:

Blue Rhino Global Sourcing

Made In:

China



ADVERTENCIA

PARA SU SEGURIDAD:

**Solamente Para Uso En Exteriores
(fuera de cualquier recinto)**



ADVERTENCIA

PARA SU SEGURIDAD:

Si huele a gas -

- 1. Cierre la entrada de gas al aparato.**
- 2. Apague cualquier llama activa.**
- 3. Si el olor persiste, póngase en contacto con su suministrador de gas o con el departamento de bomberos.**



ADVERTENCIA

PARA SU SEGURIDAD:

- 1. Las fugas de gas pueden provocar un fuego o una explosión, que pueden causar heridas personales de gravedad o la muerte, así como daños a la propiedad.**
- 2. Debe seguir todos los procedimientos de comprobación de fugas, tal y como se describen en el paso 12, antes de utilizar esta unidad.**
- 3. No utilice nunca una llama abierta para comprobar si hay fugas.**



ADVERTENCIA

PARA SU SEGURIDAD:

No almacene ni utilice gasolina, ni cualquier otro gas o líquido inflamable cerca de éste o de cualquier otro aparato.



ADVERTENCIA

PARA SU SEGURIDAD:

Una instalación, ajuste, alteración, reparación o mantenimiento inadecuados puede causar lesiones o daños a la propiedad. Lea atentamente las instrucciones de instalación, funcionamiento y mantenimiento del equipo antes de instalarlo o ponerlo en marcha.



ADVERTENCIA

Proposición del estado de California N° 65:

Existen productos químicos que el Estado de California reconoce como causantes de Cáncer, Defectos Congénitos o cualquier otro Daño durante la Reproducción Creados por la Combustión del Propano.



ADVERTENCIA

PARA SU SEGURIDAD:

- El comprador asume todos los riesgos derivados del montaje y funcionamiento de esta unidad. No seguir las advertencias e instrucciones incluidas en este manual puede provocar lesiones personales de gravedad, la muerte o daños a la propiedad.**
- No utilice el equipo en una atmósfera explosiva. Mantenga el calentador lejos de lugares en los que se almacenen o utilicen líquidos inflamables, gasolina, vapores o productos explosivos.**

Índice

¡La Seguridad, lo Primero!	3
Instrucciones de Montaje	
Lista de componentes y equipo	4
Componentes generales y características	5
Requisitos Adicionales	5
Paso 1 Acoplar las patas a la base	5
Paso 2 Acoplar la plataforma a las patas	7
Paso 3 Acoplar la placa de lastre	7
Paso 4 Insertar la línea de gas a través de la plataforma y Acoplar la tapa de la cubierta de protección	8
Paso 5 Acoplar el motor al poste	8
Paso 6 Acoplar el motor/poste a la plataforma	9
Paso 7 Conectar la línea de gas al motor	9
Paso 8 Montar la cúpula	10
Paso 9 Acoplar la cúpula grande al emisor	10
Paso 10 Asegurar la línea de gas	10
Paso 11 Conectar la línea de gas a la bombona	11
Paso 12 Comprobar si hay fugas	11
Paso 13 Volver a colocar el panel de acceso al motor	12
Paso 14 Instalación de la batería de encendido	12
Operación	
Antes de activar la alimentación de gas (ON)	13
Antes del encendido	13
Encendido	13
Reencendido	14
Apagado	14
Lista de control de operaciones	15
Resolución de problemas	16
Mantenimiento	17
Almacenamiento	18
Servicio	18
Garantía	19
Especificaciones	20



LA INSTALACIÓN DE ESTA UNIDAD HA DE REALIZARSE DE ACUERDO CON LAS NORMAS LOCALES, O EN AUSENCIA DE ÉSTAS, CON LA NORMA NACIONAL DE GAS COMBUSTIBLE, ANSIZ223. 1-1988 (CAN1-B149 CÓDIGO DE LA INSTALACIÓN).

Conserve estas instrucciones para futuras consultas. Si está montando esta unidad para otra persona, entréguele este manual para futuras consultas.



Antes de hacer nada más, lea y comprenda todas las instrucciones en ¡La Seguridad, lo Primero!



ADVERTENCIA

PARA SU SEGURIDAD:

- **El comprador asume todos los riesgos derivados del montaje y funcionamiento de esta unidad. No seguir las advertencias e instrucciones incluidas en este manual puede provocar lesiones personales de gravedad, la muerte o daños a la propiedad.**
- **No utilice el equipo en una atmósfera explosiva. Mantenga el calentador lejos de lugares en los que se almacenen o utilicen líquidos inflamables, gasolina, vapores o productos explosivos.**

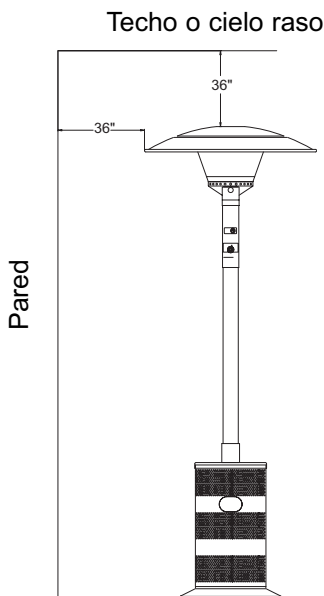
¡La Seguridad, lo Primero!

Lea y familiarícese con los contenidos de este manual, especialmente con las siguientes precauciones.

Si no está seguro de nada de lo indicado en estas instrucciones, DETÉNGASE y llame al número de teléfono 1-800-762-1141 para solicitar asistencia técnica.

Precaución: Este aparato está pensado únicamente para su uso en exteriores (fuera de cualquier recinto). Asegúrese siempre de que hay una ventilación de aire adecuada.

- Mantenga siempre un mínimo de 90 cm de separación con cualquier material combustible.
- Coloque siempre el calentador sobre una superficie dura y nivelada.
- No utilice el aparato si la velocidad del viento es superior a los 16 km/h.
- Si la temperatura es inferior a los 5° C (40 °F), el calentador tendrá un rendimiento menor.
- Mantenga lejos del quemador y de los controles los aspersores y cualquier otra salida de agua.
- **Extreme las precauciones cuando se encuentre cerca del calentador. Alerta tanto a niños, como a adultos, sobre los peligros de las altas temperaturas, en especial para evitar quemaduras o que sus prendas puedan arder.**
- **Deberá prestarse una atención especial a los niños pequeños y las mascotas cuando se encuentren cerca del calentador.**
- **No cuelgue ropa o cualquier otro material inflamable sobre el calentador o cerca de él.**
- **Antes de iniciar el funcionamiento del calentador, vuelva a colocar cualquier dispositivo de seguridad o de protección que hayan sido retirados para efectuar una revisión.**
- Ciertos materiales u objetos, si se colocan debajo del calentador, estarán sujetos al calor irradiado y pueden resultar seriamente dañados.
- No altere el calentador de ninguna forma. Esto anularía su garantía.
- El regulador de presión y el conjunto de manguera incluidos con la unidad deben usarse siempre, y cuando sea necesario reemplazarlos, los repuestos deben ser los que especifica el fabricante.
- Debe utilizarse el regulador de presión y el conjunto de mangueras incluidos con el aparato; y los recambios deberán ser aquéllos especificados por el fabricante.
- Examine cuidadosamente el calentador de exteriores y su manguera de extensión antes de cada uso de la unidad. Si se detecta una pieza dañada, no encienda el aparato hasta que se haya instalado adecuadamente una pieza de recambio original. El uso de piezas no autorizadas anulará su garantía y provocará una situación de riesgo.
- No intente utilizar este aparato sin un regulador de gas en buen estado, suministrado por el fabricante e instalado adecuadamente. Si el regulador se avería, utilice únicamente un repuesto suministrado por el propio fabricante.
- Durante el funcionamiento, no toque el conjunto del quemador. La superficie del emisor del calentador puede alcanzar temperaturas próximas a los 870° C (1600° F).
- Tras apagar el equipo, no toque el conjunto del quemador ni la cúpula hasta que el calentador se haya enfriado (aproximadamente 45 minutos después de su uso).



**Si necesita ayuda llame al 1-800-762-1142
No devuelva el artículo al lugar de compra**

Endless Summer 

Aviso: Este producto no debería utilizarse con ningún otro combustible que no sea propano líquido. La utilización de otros combustibles disminuirá el rendimiento de los calentadores y anulará su garantía.

Precaución: El propano líquido (PL) es inflamable y resulta peligroso si se manipula inadecuadamente. Antes de utilizar cualquier producto que emplee PL, estudie detenidamente sus características.

- Características del PL – Inflamable, explosivo bajo presión, más pesado que el aire, se almacena en estanques en zonas bajas.
- En su estado natural, el propano no tiene ningún olor. Para su seguridad, se añade una esencia odorífera que huele a col podrida.
- El contacto directo con PL puede causar quemaduras frías en la piel.
- Este calentador sale de fábrica únicamente para su uso con gas PL.
- Utilice únicamente bombonas de gas PL de 9 kg (20 lb.) aprobadas por el Departamento de Transporte (DOT) (las mismas que se suelen utilizar en las parrillas de gas) con válvulas de seguridad Acme /Tipo 1 / QCC. Estas válvulas pueden identificarse rápidamente porque tienen roscas externas e internas.
- No utilice nunca una bombona de PL si el cuerpo, la válvula, el collar o el anillo inferior presentan algún daño.
- Las bombonas de PL abolladas u oxidadas pueden ser peligrosas y deberían ser revisadas por su proveedor de gas PL.
- El sistema de alimentación de la botella debe prepararse para facilitar la salida de vapores.
- La botella que use deberá incluir un collar que proteja la válvula de la botella.
- Cuando el calentador no se está utilizando, cierre la válvula de control (OFF).
- Realice siempre una comprobación de fugas en las conexiones de gas cuando se conecte una nueva bombona. No utilice nunca una llama para comprobar la presencia de fugas. No fume mientras realiza una comprobación en busca de fugas.

Precaución: Es fundamental mantener limpio el compartimiento de la válvula del calentador, los quemadores y los conductos de aire circulante.

- Las arañas y los insectos pueden causar una situación peligrosa que puede dañar el calentador o hacer que su funcionamiento no sea seguro. Mantenga el área de los quemadores limpia de arañas, telas de araña o insectos.
- Revise el calentador antes de cada uso.
- **Haga inspeccionar anualmente el calentador de exteriores y realizar las reparaciones que sean necesarias, por un técnico de servicio calificado.**
- Compruebe el calentador inmediatamente si aparece alguno de los siguientes problemas:
 - El olor a gas junto con unas llamas con puntas muy amarillas en el quemador.
 - El calentador no alcanza la temperatura adecuada. Nota: A temperaturas inferiores a los 5° C, la salida de calor se reducirá.
 - El resplandor de la llama del calentador es muy desigual
 - El quemador hace unos ruidos de estallido durante su uso. Nota – Es normal oír un ligero estallido cuando se apaga el quemador.
- Los depósitos de carbonilla puede causar un riesgo de fuego. Mantenga limpios en todo momento la cúpula y el emisor.
- No limpie el calentador con limpiadores combustibles o corrosivos. Utilice agua templada y jabonosa.
- No pinte el motor, el acceso al motor o la cúpula.

Bombona de PL de 9 kg



PARA SU SEGURIDAD:

Tenga cuidado con las arañas

Las arañas o los insectos pequeños pueden entrar en el tubo del quemador o en cualquier otra abertura de su calentador, y tejer sus redes o construir sus nidos. Estas obstrucciones pueden producir problemas en el flujo del gas. Es importante realizar revisiones frecuentes en estas áreas y limpiarlas cuando sea necesario.

Antes de poner en funcionamiento su calentador por primera vez, asegúrese de comprobar si hay obstrucciones que puedan haberse producido durante el transporte.

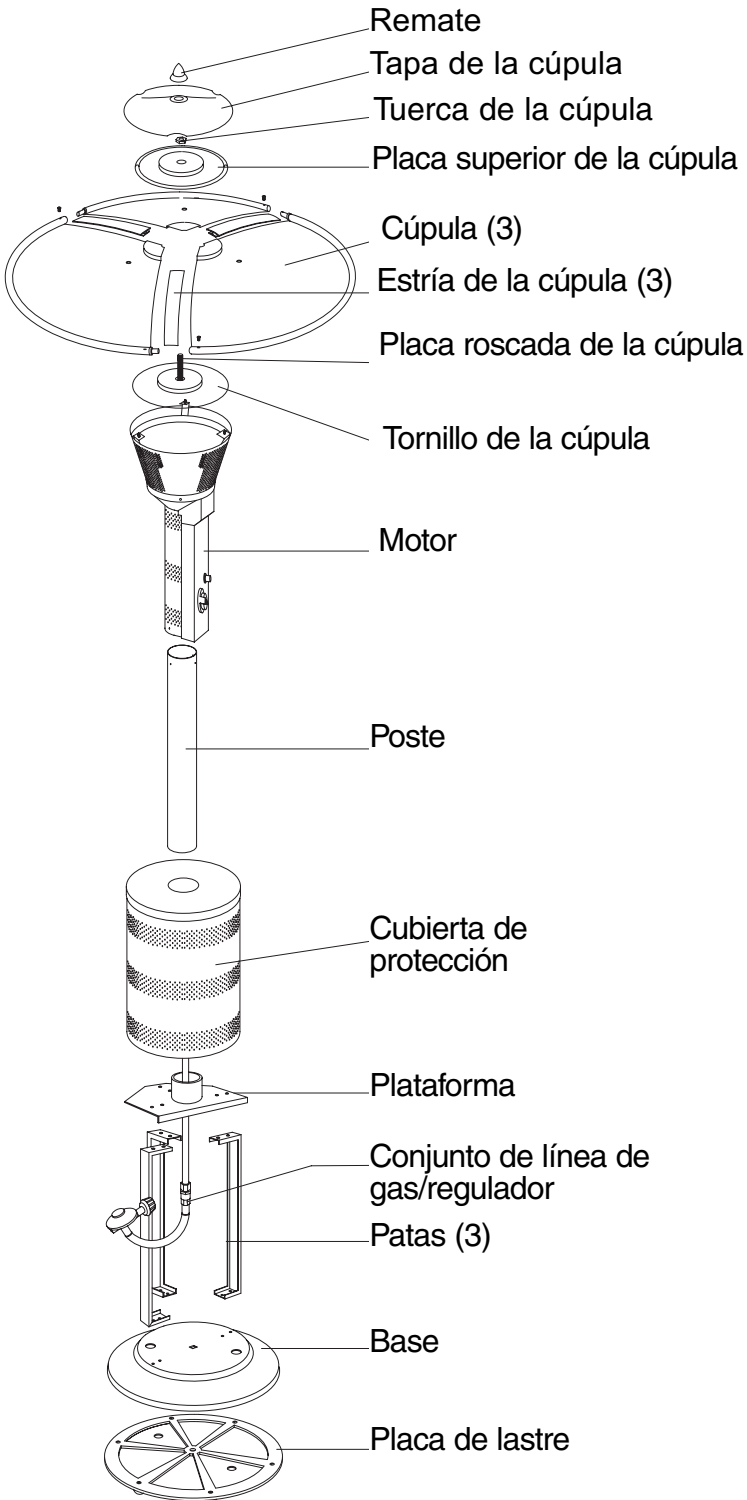
¿Necesita una bombona de gas?

Pruebe el servicio de intercambio de bombonas de Blue Rhino. Es sencillo, rápido, seguro y está disponible en decenas de miles de puestos de venta a lo largo de todo el país.

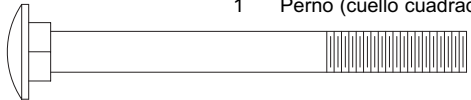
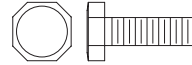
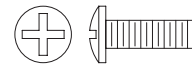

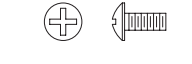






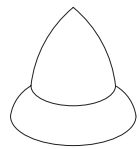

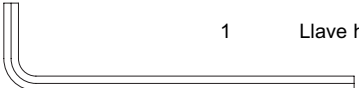
Puede comprar una nueva bombona llena o cambiar su bombona vacía por una llena.

Para saber dónde se encuentra su distribuidor Blue Rhino más cercano, visite www.bluerhino.com

Componentes



Ferretería

Imagen	Cant.	Descripción	Para Paso(s)
	1	Perno (cuello cuadrado)	3
	12	Perno grande	1 & 2
	1	Tornillo grande	2
	4	Tornillo pequeño	5
	3	Tornillo de cúpula	8
	12	Arandela pequeña	1 & 2
	1	Arandela grande	3
	1	Tuerca grande	3
	3	Tuerca ambombada	9
	12	Tuerca pequeña	1 & 2
	1	Grapa	2
	1	Remate	8
	1	Perno de cúpula	8
	1	Llave hex (Allen)	6

Instrucciones de montaje

Componentes Generales y Características

Familiarícese con todos los componentes antes de iniciar el funcionamiento del equipo. Consulte la página 4 para ver los componentes y la tornillería del aparato.

El cono de cerámica blanco en la tapa del motor es un pedazo importante. NO quite.

NO intente su montaje si no tiene a su disposición todos los componentes. Si cree que falta un componente o que alguno puede estar dañado, llame al número de teléfono 1-800-762-1142 para solicitar asistencia técnica.

Requisitos adicionales

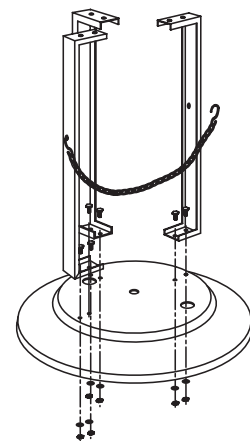
Los siguientes elementos no están incluidos, pero son necesarios para el correcto montaje de su calentador. No intente el montaje del equipo sin las herramientas adecuadas. Es necesario el uso de una llave hexagonal (Allen) en el paso 6. Viene incluida en la bolsa de las piezas.

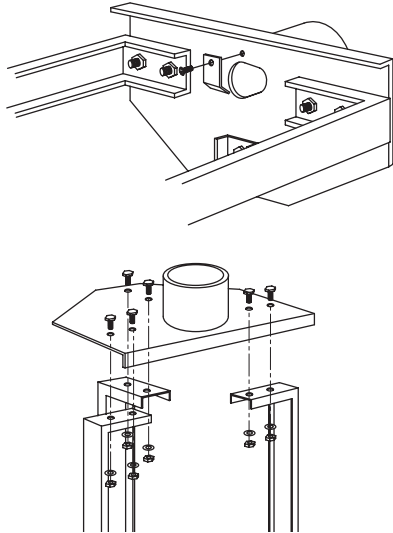
- (1) Llave de 7/16" (11 mm)
- (1) Llave de 9/16" (14 mm)
- (1) Llave de tubo de 7/16" (11 mm)
- (1) Llave de tubo de 1/2" (12 mm)
- (1) Destornillador de punta de estrella #2
- (1) Solución para la detección de fugas (Las instrucciones sobre cómo elaborar la solución se incluyen en el paso 12)

Nota: Debe seguir todos los pasos para montar el calentador de un modo adecuado.

Paso 1 – Acoplar las patas a la base

- Asegure las patas a la base utilizando (2) pernos grandes (2) arandelas de seguridad pequeñas y (2) tuercas pequeñas por pata. Apriete sólo con los dedos.
- No apriete por completo hasta el Paso 3.
- Acople el gancho "S" de la cadena de fijación de la bombona a la pata izquierda.





Paso 2 – Acoplar la plataforma a las patas

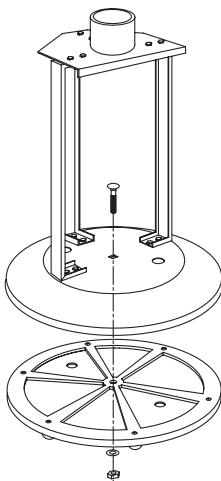
- Alinee el orificio de la grapa con el orificio pequeño con rosca situado en la parte inferior de la plataforma.
- Acople la grapa sin apretar a la plataforma con (1) tornillo grande.

Nota: No apriete hasta el Paso 10.

- Utilizando una llave de 7/16", asegure la plataforma a las patas utilizando (2) pernos grandes, (2) arandelas de seguridad pequeñas y (2) tuercas pequeñas por pata. Apriete por completo.
- Apriete por completo todas las tuercas y tornillos desde el Paso 1.

CONSEJO:

Utilice la llave de 7/16" para apretar el perno y la llave de 7/16" para tubo para apretar la tuerca.

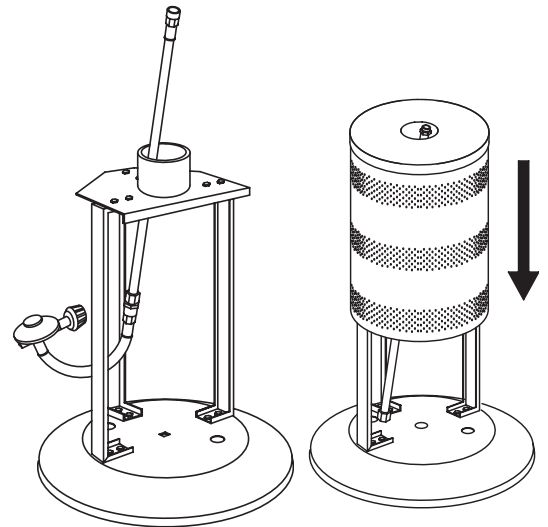


Paso 3 – Acoplar la placa de lastre

- Deje caer el conjunto de la base sobre uno de sus lados
- Alinee las aberturas del borde exterior de la placa de lastre con los ganchos del soporte de la rueda.
- Coloque la placa de lastre en la base y aparte los pies.
- Inserte el perno de cuello cuadrado a través de los orificios centrales de la base y de la placa.
- Utilizando una llave de 9/16", asegure la placa a la base empleando (1) arandela de seguridad grande y (1) tuerca grande.
- Ponga de pie el conjunto de la base.

Paso 4 – Insertar la línea de gas a través de la plataforma/Acoplar la tapa de la bombona

- Inserte la línea de gas a través del orificio grande de la plataforma desde abajo, entre la pata central y la izquierda, tal y como se muestra en la ilustración.
- Deslice la cubierta de protección por la línea de gas, después por el conjunto plataforma/pata hasta que el recubrimiento descansa sobre la base.



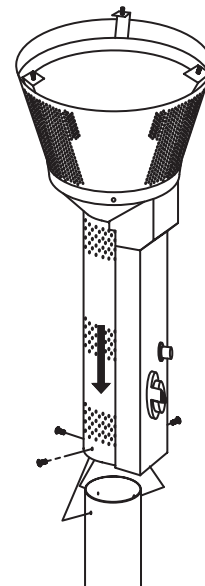
Paso 5 – Acoplar el motor al poste

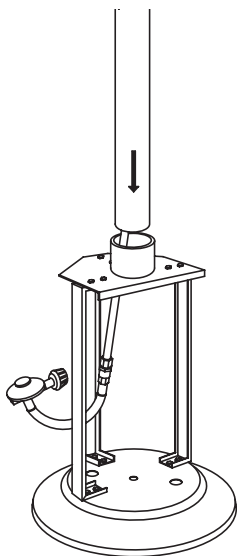
- Deje caer el conjunto del motor sobre uno de sus lados, apoyándolo sobre un cartón.
- Quite y guarde el botón de control.
- Retire y guarde el panel de acceso al motor quitando (1) tornillo de mariposa de la parte inferior de la puerta de acceso.
- Desconecte el cable del dispositivo de encendido estirando del cable con suavidad en la parte de atrás de la caja.
- Alinee los (4) orificios situados en la parte superior del poste con los (4) orificios situados en la parte inferior del motor.

Nota: Un orificio está a un nivel diferente que el resto. Asegúrese de que los 4 orificios están correctamente alineados.

- Inserte (4) tornillos pequeños para fijar el motor en posición. Estos tornillos se apretarán por completo al final del Paso 7.

Nota: No vuelva a colocar el panel de acceso al motor hasta el Paso 13.





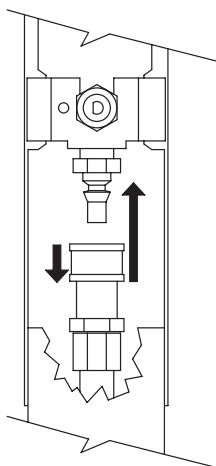
Paso 6 – Acoplar el motor/poste a la plataforma

- Inserte el extremo sin orificios del poste en la línea de gas, procurando no doblar la línea.
- Deslice el poste en el collar de la plataforma, de forma que el poste descansa por completo en la plataforma.
- Apriete los tres tornillos de fijación con la llave hexagonal (Allen) incluida.
- Asegúrese de que el poste está perpendicular a la base.
- Utilice tres tornillos de fijación para ajustar el ángulo del poste en caso necesario.
- Apriete los seis tornillos de fijación y deslice la cubierta hacia abajo.

Nota: El poste debe estar perpendicular a la base. No hacerlo afectará negativamente al rendimiento del quemador.

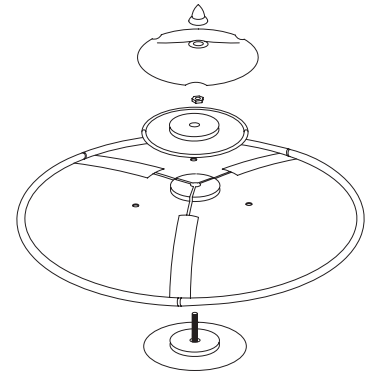
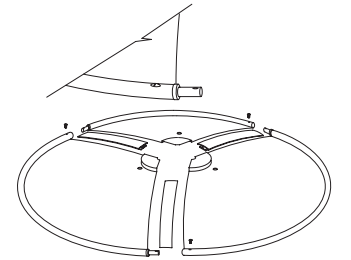
Paso 7 – Conectar la línea de gas al motor

- Acople la línea de gas a la válvula de control.
- Retire el collar de la línea de gas.
- Inserte la línea de gas en la válvula de control.
- Libere el collar y debería quedar bloqueado en su posición. (Consejo – presione la línea de gas hacia arriba desde la parte inferior del poste para crear un buen asiento antes de liberar el collar.)
- Tire con cuidado de la línea para comprobar si la conexión es correcta. Si la línea de gas se mueve, no está correctamente conectada. No ponga en funcionamiento el equipo hasta que la conexión sea correcta.
- Apriete por completo los (4) tornillos del Paso 5.



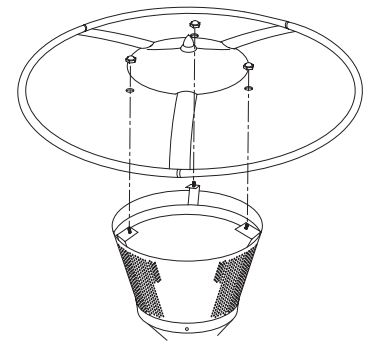
Paso 8 – Montar la cúpula

- Con los revestimientos laterales grandes para arriba, resbale una costilla de la bóveda encendido hacia el mismo lado de una sección de la bóveda que el perno. Resbale dos secciones de la bóveda juntas, permitiendo el extremo expuesto de la diapositiva del perno en el borde rodado de la sección siguiente de la bóveda. Alinee el agujero en bóveda con el agujero roscado en perno.
- Inserte un tornillo de la bóveda y asegúrelo libremente.
- Repita el procedimiento para terminar el montaje de las tres secciones.
- Deslice el tornillo de la cúpula por la parte inferior del plato de tope (con un pequeño montículo central), asegurándose de que el extremo enrollado mire hacia abajo.
- Deslice el tornillo del paso anterior a través del centro de las secciones de la cúpula montada y asegúrese de que el borde enrollado del disco de tope encaja en los extremos de las tres estrías de la cúpula. Asegúrese también de que las ranuras del plato de tope están alineadas con los orificios de las secciones de la cúpula.
- Deslice el otro plato de tope por el tornillo central con el borde enrollado mirando hacia arriba, asegurándose de nuevo de que el plato encaja en el interior de las estrías y que los orificios están alineados con los de la cúpula.
- Gire la tuerca mediana todo lo que dé el tornillo, fijando todas las piezas en su sitio y asegurándose de que todos los montículos encajan unos en otros.
- Apriete por completo todos los tornillos del borde enrollado.
- Resbale el casquillo de la bóveda sobre el perno de la bóveda, alineando muescas en casquillo con las costillas de la bóveda. Rosque en finial hasta que firmemente.



Nota:

El cono de cerámica blanco en la tapa del motor es un pedazo importante. NO quite.

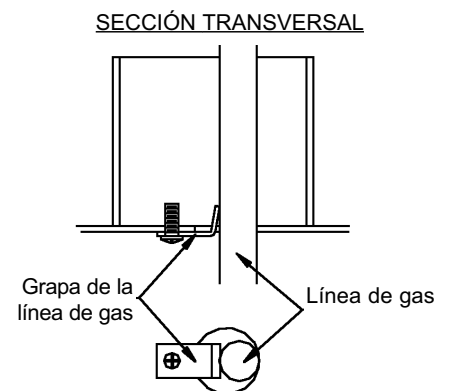


Paso 9 – Acoplar la cúpula al emisor

- Con cuidado, coloque el aparato sobre uno de sus lados, apoyando la parte superior sobre el inserto de espuma que viene incluido.
- Alinee los orificios del conjunto de la cúpula con los espárragos del del emisor.
- Sujete la cúpula al emisor usando las (3) tuerca abombadas.
- Deje el calentador sobre su lado para el paso siguiente.

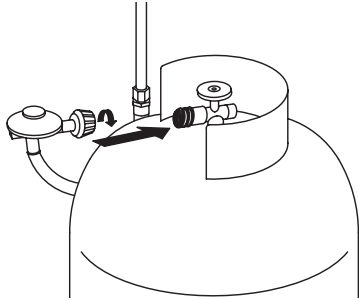
Paso 10 – Asegurar la línea de gas

- Asegúrese de que el lado del ángulo de la grapa de gas se asoma por el orificio grande de la plataforma.
- Apriete el tornillo hasta que la línea de gas quede fija en su posición.
- Ponga de pie el calentador.



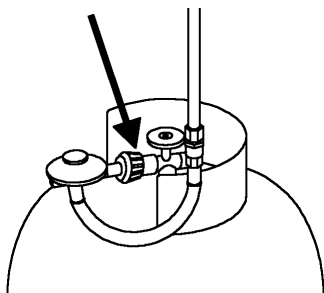
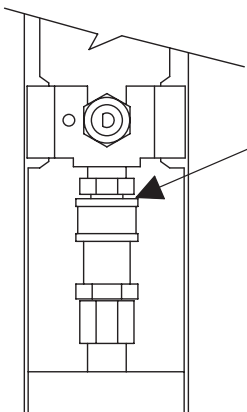
Precaución:

Antes de tratar de usar un cilindro de propano, familiarícese completamente con todas las precauciones relacionadas con el cilindro y el propano, que encuentra en la Sección #1 - "La Seguridad, lo Primero"



Precaución:

Su Calentador Portátil Endless Summer ha sido comprobado en fábrica y no se detectaron fugas. Vuelva a comprobar todas las conexiones, ya que el movimiento generado por el transporte puede aflojar las conexiones. Compruebe si hay fugas incluso si su unidad fue montada para usted en la tienda.



Paso 11 – Conectar la línea de gas a la bombona

Debe utilizarse el regulador de presión y el conjunto de mangueras incluidos con el aparato; y los recambios deberán ser aquéllos especificados por el fabricante.

- Deslice la bombona de propano llena sobre la base del calentador.
- Acople la línea de gas a la bombona girando el botón de plástico negro en el sentido de las agujas del reloj sobre la válvula de la bombona hasta quedar apretada.

Nota: Procure no doblar la manguera flexible de la línea de gas.

- Asegure la bombona en su sitio acoplando el extremo suelto de la cadena de fijación de la bombona al orificio de la pata derecha.

Paso 12 – Comprobar si hay fugas

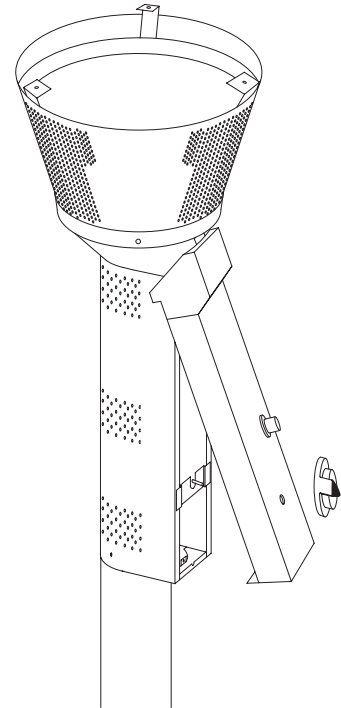
- Prepare unos 75 gramos (2-3 oz.) de solución para comprobar si hay fugas mezclando una parte de jabón líquido para lavar platos y tres partes de agua.
- Gire la válvula de la bombona a la posición "ON" (encendido).
- Compruebe si hay fugas en la línea de gas /válvula de control:
- Vierta varias gotas de la solución en la línea de gas y en la conexión de la válvula de control.
- Revise la solución en la conexión en busca de burbujas.
- Si NO aparecen burbujas, la conexión es segura.
- Si aparecen burbujas, hay una fuga –
- Gire la válvula de la bombona a la posición "OFF" (apagado).
- Afloje el tornillo de la grapa.
- Libere el accesorio de la línea de gas de la válvula de control y vuelva a acoplarlo dejando segura la conexión (véase el Paso 7)
- Vuelva a apretar la grapa.
- Si sigue observando burbujas después de varios intentos, llame al número de teléfono 1-800-762-1142 para solicitar asistencia técnica.

Compruebe si hay fugas en la línea de gas/bombona:

- Gire la válvula de la bombona a la posición "ON" (encendido).
- Vierta varias gotas de la solución en la línea de gas y en la conexión de la válvula de la bombona.
- Revise la solución en la conexión en busca de burbujas.
- Si NO aparecen burbujas, la conexión es segura.
- Si aparecen burbujas, hay un fuga:
- Gire la válvula de la bombona a la posición "OFF" (apagado).
- Libere el accesorio de la línea de gas de la válvula de la bombona y vuelva a acoplarlo dejando segura la conexión. (véase el Paso 11)
- Si sigue observando burbujas después de varios intentos, llame al número 1-800-762-1142 para solicitar asistencia técnica.
- Gire la válvula de la bombona a la posición "OFF".

Paso 13 – Volver a colocar el panel de acceso al motor

- Deslice el cable del dispositivo de encendido sobre el poste de encendido.
- Deslice la pestaña de la parte superior del panel de acceso en la ranura de la parte inferior del emisor.
- Gire el panel hasta que los orificios queden alineados arriba y abajo.
- Asegure el panel de acceso en su posición con el tornillo de mariposa.
- Vuelva a colocar el botón de control.

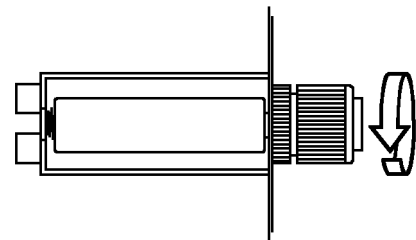


Paso 14 – Instalación de la batería de encendido

Nota: Este paso se necesita sólo para los modelos que dispongan de encendido electrónico.

- Retire la tapa de la cubierta de la batería girándola en el sentido contrario al de las agujas del reloj.
- Instale (1) batería del tipo AA. Monte primero el borne negativo de la batería.
- Vuelva a colocar la tapa de la cubierta de la batería girándola en el sentido de las agujas del reloj.

Nota: Una vez haya completado con éxito el montaje desde el Paso 1 al 14, ya está listo para hacer funcionar su calentador.





ADVERTENCIA

PARA SU SEGURIDAD:

Si en cualquier momento, es incapaz de encender la llama piloto y huele a gas, espere 5 minutos para que el gas se disipe antes de intentar encender el calentador.



ADVERTENCIA

PARA SU SEGURIDAD:

NO toque ni mueva el calentador durante al menos 45 minutos después de su uso.

Deje que todos los elementos del quemador se enfríen antes de tocarlos.

Operación

Precaución: NO intente poner en marcha el calentador hasta que haya leído y comprendido todas las precauciones indicadas en la sección 1 "La seguridad, lo primero "

Antes de activar la alimentación de gas (ON)

- Su calentador ha sido diseñado y autorizado únicamente para su uso en exteriores. NO lo utilice en el interior de un edificio, garaje, o cualquier otra zona cerrada.
- Asegúrese de que el área circundante está libre de materiales combustibles, gasolina o cualquier otro vapor o líquido inflamable.
- Asegúrese que no hay ninguna obstrucción en la ventilación del aire.
- Asegúrese de que todas las conexiones de gas están apretadas y de que no hay fugas.
- Asegúrese de que la tapa de la bombona está libre de suciedad.
- Asegúrese de que todos los componentes retirados durante el montaje o reparación vuelven a colocarse en su sitio antes de la puesta en marcha.

Antes del encendido

- El calentador debería ser revisado meticulosamente antes de cada uso, así como una vez al año por parte de un técnico cualificado.
- Para volver a encender un calentador caliente, espere siempre cinco minutos como mínimo para que se disipe el gas.
- Revise el conjunto de la manguera por si hay señales de una abrasión excesiva, cortes o desgaste. Las áreas sospechosas deberían ser revisadas por si presentan fugas. Si la manguera tiene una fuga, debe ser sustituida antes de poner en marcha la unidad. Utilice solamente el conjunto de manguera de recambio especificado por el fabricante.

Encendido

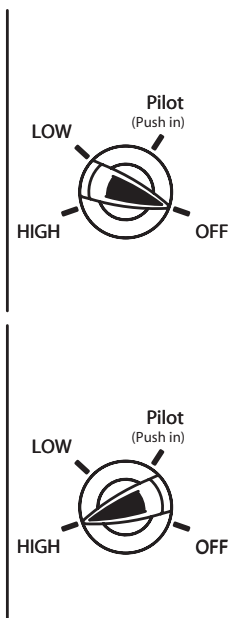
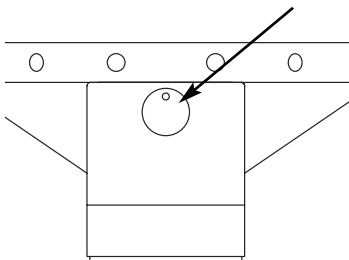
Nota: Este calentador está equipado con un testigo que permite unas operaciones de encendido y apagado más seguras. El testigo debe estar encendido antes de que pueda ponerse en marcha el quemador principal.

- Gire la válvula de la bombona a la posición "OFF" (apagado).
- Pulse el botón de control y gírelo hasta la posición OFF.
- Espera 5 minutos para que se disipe todo el gas.
- Gire la válvula de la bombona a la posición "ON" (encendido).
- Abra el orificio de visión deslizando la tapa hacia uno de los lados.
- Pulse el botón de control y gírelo hasta la posición del testigo.

Nota: Para el encendido inicial o tras un cambio de bombona, mantenga el botón de control pulsado durante 2 minutos para purgar el aire de las líneas de gas antes de iniciar el funcionamiento del aparato.

- Pulse el botón de encendido. La llama piloto aparecerá y será visible a través del orificio de visión.
- Suelte el control después de 30 segundos. El piloto quedará encendido. Si no queda encendido, vuelva a empezar a partir del primer punto.

orificio de visión



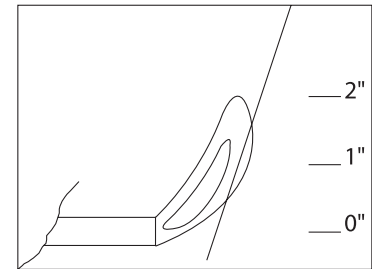
- Gire el botón de control a la posición ON. El quemador principal se encenderá inmediatamente. La llama podrá verse a través del orificio de visión. Si no es así, vuelva al paso 1.
- Si por alguna razón su dispositivo de encendido no consigue provocar una chispa, tu calentador puede encenderse insertando cerilla a través del orificio de visión de la llama piloto, al mismo tiempo que presiona el botón de control en la posición PILOT.
- Si experimenta cualquier problema de encendido, consulte el apartado "Resolución de problemas" en la página 15.

Precaución: Evite inhalar los humos emitidos durante el primer uso del calentador. Aparecerán humos y olores provenientes de la combustión de los aceites utilizados en la fabricación. Tanto el humo como el olor se disiparán después de aproximadamente, 30 minutos. NO debería producir un humo espeso y negro.

Nota: El quemador puede producir bastante ruido al ser encendido. Para eliminar el ruido excesivo, gire el botón de control hasta la posición "Pilot". En ese momento, gire el botón hasta el nivel de calor deseado.

Quando el calentador está encendido (ON):

- La pantalla del emisor tendrá un color rojo brillante debido al intenso calor. El color es más visible por la noche.
- El quemador mostrará lenguas de llama azules y amarillas. Estas llamas no deberían ser todas amarillas o producirían un humo espeso y negro, lo que indicaría la presencia de una obstrucción del flujo de aire en los quemadores. La llama debería ser azul con puntas rectas y amarillas.
- Si se detecta una llama excesivamente amarilla, apague el calentador y consulte la sección "Localización de averías", en la página 15.



Reencendido

Nota: Para su seguridad, el botón de control no puede girarse hasta la posición "OFF" (apagado) sin pulsar primero el botón de control en la posición PILOT, y después gírelo a la posición "OFF".

- Gire el botón de control a la posición OFF.
- Espere un mínimo de 10 minutos para que el gas se disipe antes intentar volver a encender la llama piloto.
- Repita los pasos de la sección "Encendido" de la página anterior.

Apagado

- Gire el botón de control en el sentido de las agujas del reloj hasta la posición Pilot. (Normalmente, se producirá un pequeño estallido en el quemador al apagarlo). El quemador se apagará pero la llama piloto seguirá encendida.
- Para apagar la llama piloto, pulse el botón de control y gírelo hasta la posición OFF.
- Gire la válvula de la bombona hasta la posición OFF y desconecte el regulador cuando no vaya a usar el calentador.

Nota: Tras su uso, es normal que la pantalla del emisor presente alguna decoloración.

⚠ ADVERTENCIA
PARA SU SEGURIDAD:
Tenga cuidado al encender manualmente este calentador. Si mantiene el botón de control apretado por más de 10 segundos, antes de prender el gas, se creará una bola de fuego al encenderse.

ADVERTENCIA
PARA SU SEGURIDAD:
El calentador estará caliente después de su uso. Manipúlelo con mucho cuidado.

Lista de Control de Operaciones

Para que la experiencia con su calentador sea segura y agradable, lleve a cabo la siguiente comprobación antes de cada uso.

Antes de la puesta en marcha

- Estoy familiarizado con todo el manual de usuario y entiendo todas las precauciones indicadas en la sección "La seguridad, lo primero".
- Todos los componentes están montados correctamente, intactos y listos para su funcionamiento.
- No se ha realizado ninguna alteración.
- Todas las conexiones de gas están seguras y no hay ninguna fuga.
- La velocidad del viento es inferior a los 16 km/h (10 mph).
- La temperatura ambiente es superior a los 5 °C
- El calentador está situado en el exterior (fuera de cualquier recinto).
- Hay una ventilación de aire adecuada.
- El calentador está lejos de gasolina o de cualquier otro líquido o vapor inflamable.
- El calentador está lejos de ventanas, aperturas de admisión de aire, aspersores y cualquier otra salida de agua.
- El calentador está situado, como mínimo, a 90 cm de materiales combustibles.
- El calentador está sobre una superficie dura y nivelada.
- No hay señales de nidos de arañas o insectos.
- Todos los conductos del quemador están libres.
- Todos los conductos de circulación de aire están libres.
- Los niños, mascotas, prendas, materiales y objetos inflamables que puedan resultar dañados por el calor irradiado deberán estar alejados del calentador.
- Los niños y adultos del área han sido alertados de los peligros de las altas temperaturas: especialmente quemaduras y fuego en las prendas.
- Los niños y los adultos del área han sido alertados para que no toquen el motor del calentador durante su funcionamiento y hasta que se haya enfriado.

Tras su funcionamiento

- El control del gas está en la posición OFF
- La válvula del depósito de gas está en la posición OFF.
- Desconecte la línea de gas.
- El calentador está de pie en una ubicación segura.

Solución de Problemas

Si el problema es:	Y se da esta situación:	Entonces haga lo siguiente
La llama piloto no se enciende <i>Nota: El calentador ofrece un rendimiento menor cuando la temperatura no alcanza los 5 °C (40 °F)</i>	La válvula de la botella está cerrada	Abra la válvula
	Obstrucción en el orificio o el tubo de la llama piloto	Limpie o sustituya el orificio o el tubo de la llama piloto
	Aire en la línea de gas	Abra la línea de gas y púrguela (mientras presiona el botón de control) durante no más de 1 -2 minutos o hasta que huela a gas
	Presión de gas baja con la válvula de la botella totalmente abierta	Gire la válvula de la bombona hasta la posición OFF y sustituya la bombona
	El dispositivo de encendido falla	Utilice una cerilla para encender la llama piloto; consiga un nuevo dispositivo de encendido y colóquelo
La llama piloto no sigue encendida	Suciedad acumulada alrededor de la llama piloto	Limpie la suciedad que hay alrededor de la llama piloto
	Conexión floja entre la válvula de gas y el conjunto de la llama piloto	Apriete la conexión y lleve a cabo una comprobación en busca de fugas
	El termopar no funciona correctamente	Sustituya el termopar
El quemador no se enciende	La presión del gas es baja	Gire la válvula de la bombona hasta la posición OFF y sustituya la bombona
	Obstrucción en el orificio	Elimine la obstrucción
	El botón de control no está en la posición ON	Gire el botón de control a la posición ON
La llama del quemador es baja	La presión del gas es baja	Gire la válvula de la bombona hasta la posición OFF y sustituya la bombona
	La temperatura ambiente es menor de 5 °C y el depósito está por debajo su capacidad	Utilice una bombona llena
	La manguera de alimentación está doblada o enroscada	Enderece la manguera
	Botón de control completamente en ON	Compruebe el quemador y los orificios por si hay alguna obstrucción
El emisor brilla de forma desigual <i>Nota: Los 3 centímetros situados en la parte inferior del emisor normalmente NO brillan.</i>	La presión del gas es baja	Gire la válvula de la bombona hasta la posición OFF y sustituya la bombona
	La base no está sobre una superficie nivelada	Coloque el calentador sobre una superficie nivelada
	El calentador está nivelado	Limpie el quemador
Acumulación de carbonilla	Suciedad sobre el reflector y el emisor	Limpie el reflector y el emisor
Humo espeso y negro	Obstrucción en el quemador	Elimine la obstrucción y limpie el interior y el exterior del quemador



ADVERTENCIA:

PARA SU SEGURIDAD:

- **No toque ni mueva el calentador durante al menos 45 minutos después de su uso.**
- **La cúpula está caliente al tacto.**
- **Deje que la cúpula se enfríe antes de tocarla.**

CONSEJO:

Utilice cera de alta calidad para automóviles para ayudar a mantener el aspecto de su calentador. Aplique a las superficies exteriores desde el mástil hacia abajo. No aplique en la pantalla del emisor ni en la cúpula.

Mantenimiento

Para disfrutar de años de rendimiento excepcional de su calentador, asegúrese de realizar las siguientes tareas de mantenimiento de forma regular:

Mantenga las superficies exteriores limpias.

Utilice agua templada y jabonosa para la limpieza. No utilice nunca productos de limpieza inflamables o corrosivos.

Mientras limpia su unidad, asegúrese de mantener seca en todo momento el área que rodea el conjunto del quemador y la llama piloto. No sumerja el conjunto de la válvula de control. Si el control de gas se sumerge en agua, NO lo utilice. Deberá ser sustituido.

El flujo del aire no debe presentar ninguna obstrucción. Mantenga limpios los controles, el quemador y los conductos de aire circulante. Entre las señales de una posible obstrucción se incluyen:

Olor a gas con una punta de la llama extremadamente amarilla

El calentador NO alcanza la temperatura deseada.

El brillo del calentador es excesivamente desigual.

El calentador hace un ruido similar al de un estallido.

Las arañas y los insectos pueden hacer sus nidos en el quemador o en los orificios. Esta peligrosa situación puede dañar el calentador y hacer que su funcionamiento no sea seguro. Limpie los orificios del quemador utilizando un limpiador en forma de tubo. El aire comprimido puede ayudar a eliminar partículas más pequeñas.

Los depósitos de carbonilla pueden causar un riesgo de fuego. Limpie la cúpula y el emisor con agua templada y jabonosa si aparece algún depósito de carbonilla.

Nota: En un entorno de aire con sal (cerca del mar), la corrosión aparece más rápidamente de lo que es habitual. Compruebe frecuentemente si aparecen áreas corroídas y repárelas lo antes posible.

Almacenamiento

Entre uso y uso:

Gire el botón de control a la posición OFF.

Desconecte la fuente de PL.

Almacene el calentador de pie en una zona protegida del contacto directo con las inclemencias atmosféricas (como la lluvia, el aguanieve, el granizo, el polvo y la suciedad).

Si lo desea, cubra el calentador para proteger las superficies exteriores y ayudar a evitar las obstrucciones en los conductos de aire. *Nota:* Espere hasta que el calentador esté frío antes de cubrirlo.

Durante períodos largos de inactividad o para su transporte

Gire el botón de control a la posición OFF.

Desconecte la fuente PL y lleve la unidad un lugar seguro y bien ventilado en el exterior.

Almacene el calentador de pie en una zona protegida del contacto directo con las inclemencias atmosféricas (como la lluvia, el aguanieve, el granizo, el polvo y la suciedad).

Si lo desea, cubra el calentador para proteger las superficies exteriores y ayudar a evitar las obstrucciones en los conductos de aire.

No deje nunca el depósito de PL expuesto a la luz directa del sol o a una fuente de calor excesiva.

Nota: Espere hasta que el calentador esté frío antes de cubrirlo.

Servicio

Para aprender cómo reparar y conseguir las piezas para sustituir los componentes que estén desgastados, defectuosos o dañados, llame al número de teléfono 1-800-762-1142 para solicitar asistencia técnica envíe un mensaje a la siguiente dirección de correo electrónico:

CustomerService@BlueRhino.com. Le rogamos que indique el número de modelo y el número de ID de serie para ofrecerle el mejor servicio. Estos números pueden encontrarse en una etiqueta en la parte trasera del receptáculo de la válvula.

Precaución: Utilice únicamente piezas de recambio originales. El uso de piezas no autorizadas o la modificación de las piezas anulará su garantía y provocará una situación de riesgo.

Precaución: Deje siempre que el calentador se enfríe antes de realizar cualquier reparación.

Garantía

Período de Garantía

La garantía del calentador tiene una duración de 1 año a partir de la fecha de adquisición por parte del comprador original .

Términos de la Garantía

Fabricado por Blue Rhino Global Sourcing, 104 Cambridge Plaza Drive, Winston-Salem, NC 27103 USA. 1-800-762-1142.

El fabricante cubrirá: Todas las piezas que resulten ser defectuosas debido a los materiales empleados o a la calidad del trabajo durante 1 año a partir de la fecha de adquisición por parte del comprador original.

Se requerirá una prueba de compra antes de dar por efectiva la garantía. El recibo de venta y la validación del registro del producto son formas válidas de prueba de compra.

El fabricante reparará o sustituirá las piezas devueltas a portes pagados en EE.UU. según su criterio.

No existen más garantías expresas ni implícitas.

Exclusión de la Garantía

El fabricante NO cubrirá:

El montaje o puesta en marcha

Ajustes normales al quemador

Limpieza y/o mantenimiento general

Daños en el transporte

Cualquier uso indebido será determinado según el único criterio del fabricante

Daños o reparaciones debidos a la actuación de un agente no autorizado o el uso de piezas no autorizadas

Montaje inadecuado, como: sin regulador, conexión inadecuada, etc.

Los daños o reparaciones provocados por nidos de arañas o insectos

Daños provocados por las condiciones del tiempo

Procedimientos de la Garantía

Para reparaciones o piezas de recambio, por favor, llame al número de teléfono 1-800-762-1142 para solicitar la autorización de la devolución y otras instrucciones.

Todas las devoluciones deben realizarse a portes pagados.

Derechos Legales

Nadie más está autorizado a ofrecer ninguna otra garantía en nombre del fabricante.

ESTA GARANTÍA SUSTITUYE CUALQUIER OTRA GARANTÍA, EXPRESA O IMPLÍCITA, ORAL O POR ESCRITO, INCLUYENDO, AUNQUE NO LIMITÁNDOSE A ELLO, CUALQUIER GARANTÍA DE COMERCIALIZACIÓN O ADECUACIÓN PARA UN PROPÓSITO EN PARTICULAR.

BLUE RHINO GLOBAL SOURCING NO SE HARÁ RESPONSABLE DE NINGÚN DAÑO INCIDENTAL O RESULTANTE, DERIVADO DE CUALQUIER

PRODUCTO DEFECTUOSO, INCLUYENDO, AUNQUE NO LIMITÁNDOSE A ELLO, PERDIDA DE INGRESOS O BENEFICIOS, INTERRUPCIÓN DE LA ACTIVIDAD COMERCIAL, O CUALQUIER OTRA TEORÍA LEGAL SOBRE LA CUAL PUEDA BASARSE CUALQUIER DEMANDA.

EL COMPRADOR ASUME TODOS LOS RIESGOS POR EL MONTAJE Y FUNCIONAMIENTO DE ESTA UNIDAD. NO SEGUIR LAS ADVERTENCIAS E INSTRUCCIONES INCLUIDAS EN ESTE MANUAL PUEDE PROVOCAR LESIONES PERSONALES DE GRAVEDAD, LA MUERTE O DAÑOS A LA PROPIEDAD.

Algunos estados no permiten las limitaciones en la duración de una garantía implícita, así como tampoco la exclusión o limitación relacionadas con los daños incidentales o resultantes.

Esta garantía le otorga unos derechos legales específicos. Puede que también tenga otros derechos legales, que pueden variar de un estado a otro.

Como el producto se encuentra inmerso actualmente en un proceso de mejora, nos reservamos el derecho a cambiar las especificaciones o diseño de este producto sin previo aviso.

Especificaciones

Certificaciones:

CSA International Requirement 5.90
Canadian National Standard CAN1-2.23-M82

Consumo:

Máxima 40.000 BTU/hora entrada

Alcance calorífico:

Hasta 6 metros de diámetro

Combustible:

Gas propano líquido (PL)

Tamaño de la bombona:

Nominal 9 kg /19 litros

Presión del suministro de gas de entrada:

Máxima – 150 PSI
Mínima – 5 PSI

Presión del colector:

11 pulg. (27,9 cm) columna de agua .

Motor:

IPP E3

Características de seguridad:

Desactivación total del quemador
Conmutador de inclinación

Fabricante:

Blue Rhino Global Sourcing

Fabricado en:

China

**Si necesita ayuda llame al 1-800-762-1142
No devuelva el artículo al lugar de compra**

Endless Summer 

Blue Rhino Global Sourcing
A wholly owned subsidiary of Blue Rhino Corporation (NASDAQ-RINO)
104 Cambridge Plaza Drive, Winston-Salem, NC 27104 USA
1.800.762.1142, www.bluerhino.com

© 2003 CPD Associates, All Rights Reserved
Made in China

Blue Rhino Global Sourcing
Empresa filial y enteramente propiedad de Blue Rhino Corporation
(NASDAQ-RINO)
104 Cambridge Plaza Drive, Winston-Salem, NC 27104 USA
1.800.762.1142, www.bluerhino.com

© 2003 CPD Associates, Todos los Derechos Reservados
Fabricado en China